

*Martin Robey*  
SALES LTD  
JAGUAR & JENSEN  
SPARES SERVICE & RESTORATION

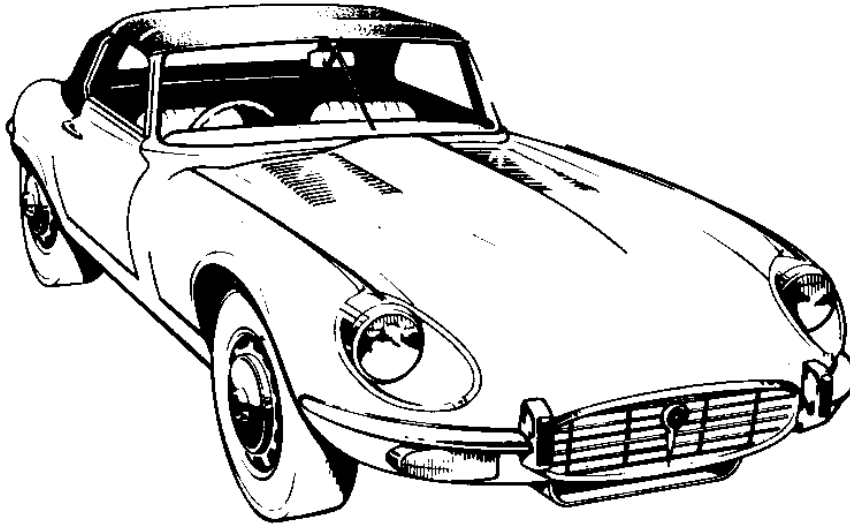
POOL ROAD,  
CAMP HILL INDUSTRIAL ESTATE,  
NUNEATON, WARWICKSHIRE  
CV10 9AE ENGLAND

TELEPHONE No	(024) 76 386903
FAX No.	(024)76 345302
E. MAIL.	info@martinrobey.co.uk
WEB SITE	www.martinrobey.co.uk/info
COMPANY REG. No.	1980684
V.A.T. REG. No.	GB 487 666 775

# JAGUAR 'E' TYPE

## SERIES 3

### UNDERFRAME, BODY PANELS & FITTINGS



OPENING HOURS:

MONDAY - FRIDAY 9.00 - 12.30 & 1.00 - 5.30

SATURDAY 9.00 - 12.00

ALL PRICES SUBJECT TO V.A.T AND ALTERATION WITHOUT PRIOR NOTICE

© COPYRIGHT RESERVED. MARTIN ROBEY SALES LTD 1997 NO PART OR PARTS OF THIS DOCUMENT  
MAY BE REPRODUCED WITHOUT WRITTEN PERMISSION FROM THE PUBLISHER.

MARTIN ROBEY SALES LTD.

## **STEEL BODY PANELS**

### **E TYPE MODELS**

<b>OUR REF No.</b>	<b>DESCRIPTION</b>
MRE1RH	SILL END CLOSING PANEL FRONT
MRE1ALH	SILL END CLOSING PANEL LH V12 MODELS
MRE2BLH/RH	BULKHEAD TO SILL V12 MODELS
MRE4DLH/RH	BULKHEAD PANEL V12
MRE5	MOUNTING BRACKET LH
MRE6	MOUNTING BRACKET RH
MRE9LH/RH	BULKHEAD SIDE PANEL
MRE10BLH/RH	SIDE LOWER FRAME MOUNTING BRACKET V12E
MRE12BLH/RH	FRONT FLOOR V12 MODELS
MRE13CLH/RH	REAR FLOOR V12 MODELS
MRE13C/73ALH/RH	V12 REAR FLOOR WITH RADIUS ARM CUP FITTED
MRE14CLH/RH	FULL FLOOR V12 MODELS
MRE14C/73ALH/RH	V12 FULL FLOOR WITH RADIUS ARM FITTED
MRE15ALH/RH	INNER SILL COMPLETE 2+2 AND V12
MRE18LH/RH	OUTER SILL 2+2 AND V12 MODELS
MRE19	INNER SILL STIFFENER (DIAPHRAGM) FRONT
MRE20LH/RH	INNER SILL STIFFENER (DIAPHRAGM) REAR
MRE21ALH/RH	SILL END CLOSING PANEL REAR 2+2 & V12
MRE27LH/RH	REAR WHEEL ARCH REPAIR (OUTER WING) V12
MRE28ALH/RH	REAR WHEEL ARCH INNER (FORWARD SECTION) V12

## **STEEL BODY PANELS**

**E TYPE MODELS(continued)**

<b>OUR REF No.</b>	<b>DESCRIPTION</b>
MRE29ALH/RH	REAR WHEEL ARCH INNER REAR SECTION V12
MRE35ALH/RH	REAR LOWER QUARTER SERIES 3 V12
MRE37A	BOOT FLOOR SERIES 3 ASSEMBLY INCLUDING LOWER QUARTERS
MRE41A	NUMBER PLATE PANEL WITH STIFFENER V12
MRE42AA	CLOSING PANEL FROM TOP EDGE OF NUMBER PLATE PANEL TO JOIN REAR TONNEAU PANEL ON LOWER EDGE SER.2/3 D.H.C.
MRE43AA	SERIES 3 ROOF PANEL NUMBER PLATE LIGHT PANEL
MRE44B	REAR TONNEAU PANEL WITH DRIP CHANNEL SERIES 2 AND 3 FIXED HEAD
MRE44C	REAR TONNEAU PANEL WITH DRIP CHANNEL SERIES 2 AND 3 DROPHEAD
MRE48LH/RH	DOOR SKIN 2+2 AND V12
MRE61C	TOP PANEL SER.3 2+2
MRE61D	TOP PANEL SER.3 DHC
MRE62	PANEL FRONT TO BOOT FLOOR
MRE64A	REAR BULKHEAD DROPHEAD V12E
MRE65A	TONNEAU SUPPORT PANEL DROPHEAD V12E
MRE66	REINFORCING CHANNEL (DROPHEAD)(4 PIECES)
MRE67	TONNEAU TOP PANEL (DROPHEAD)
MRE68ALH/RH	REAR WHEEL ARCH INNER VALANCE (DROPHEAD) V12E
MRE70ALH/RH	TOP PANEL TO HOOD V12 MODELS

**STEEL BODY PANELS**

**E TYPE MODELS(continued)**

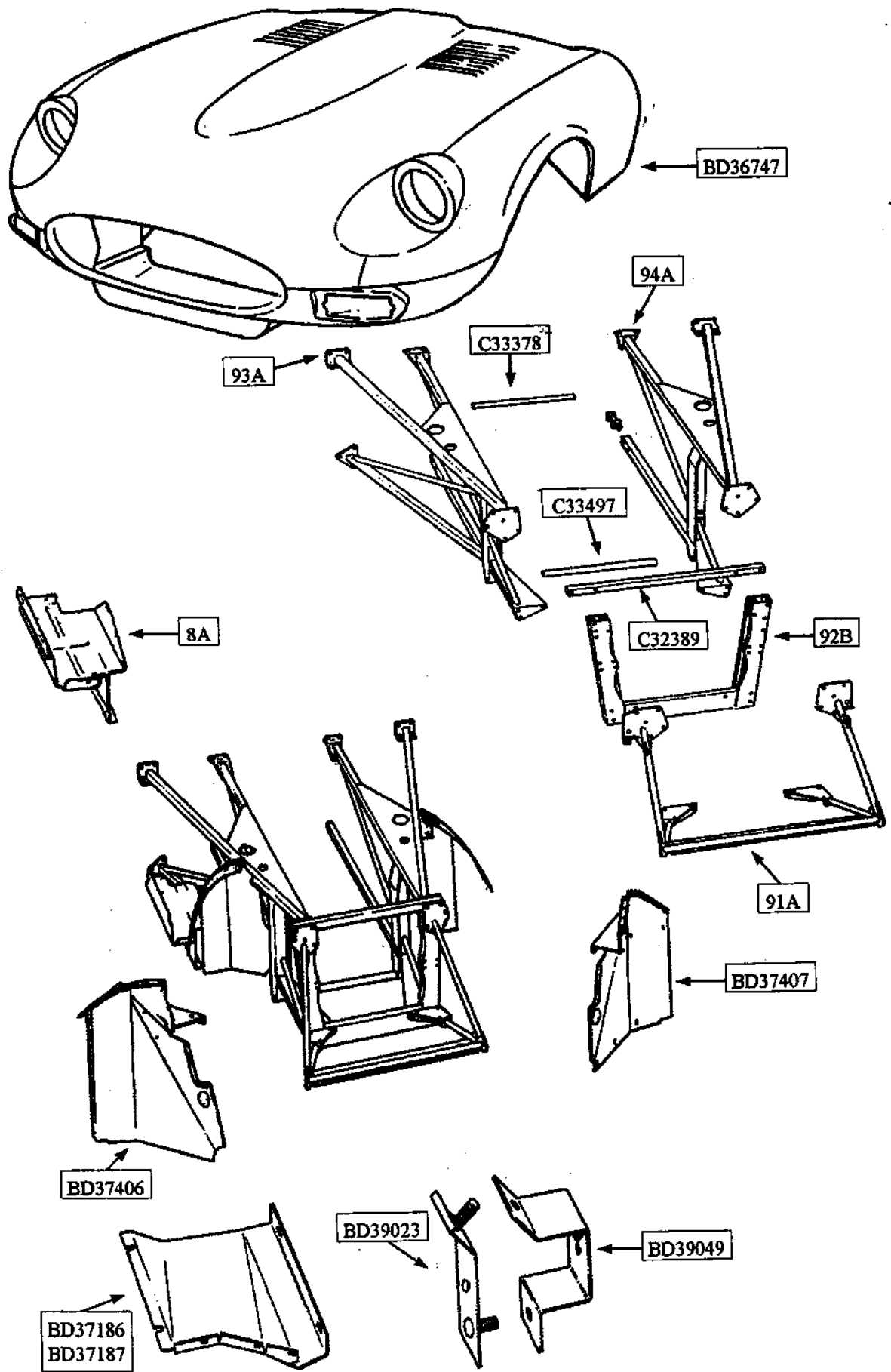
<b>OUR REF No.</b>	<b>DESCRIPTION</b>
MRE71ALH/RH	V12E DHC SPEAKER PANELS
MRE72ALH/RH	REAR SUSPENSION MOUNTING MEMBER 2+2 & V12E
MRE73A	RADIUS ARM CUP SQUARE BASE AS ORIGINAL
MRE75BLH/RH	REAR WING ROADSTER SERIES 3 (V12)
MRE75CLH/RH MD	REAR WING 2+2 SERIES 3 (V12)
MRE78LH/RH	INNER REAR WHEL ARCH VALANCE (ALL FHC AND 2+2 MODELS)
MRE82B	UNDERPAN SERIES 3
BD36887-88	FRONT WINGS SERIES 3
MRE84BLH/RH	HEADLIGHT DIAPHRAGMS SERIES 3
MRE85CRH	REAR BONNET MUDGUARD R/H V12
MRE85DLH	REAR BONNET MUDGUARD L/H V12
MRE88A	AIRDUCT LOWER PANEL ASSEMBLY V12
MRE91A	BONNET SUPPORT FRAME V12E
MRE92B	PICTURE FRAME 12 CYL MODEL
MRE93ARH	SIDE FRAME SERIES 3 (V12) RH
MRE94ALH	SIDE FRAME SERIES 3 (V12) LH
BD36747	BONNET COMPLETE SERIES 3
MRE100ALH/RH	SERIES 3 DOOR WITH CRASH BARRIER
MRE100BLH/RH	SERIES 3 DOOR WITHOUT CRASH BARRIER ALSO FITS SERIES 2 (2+2)
MRE104	BOOT LID SKIN
MRE104A	BOOT LID COMPLETE

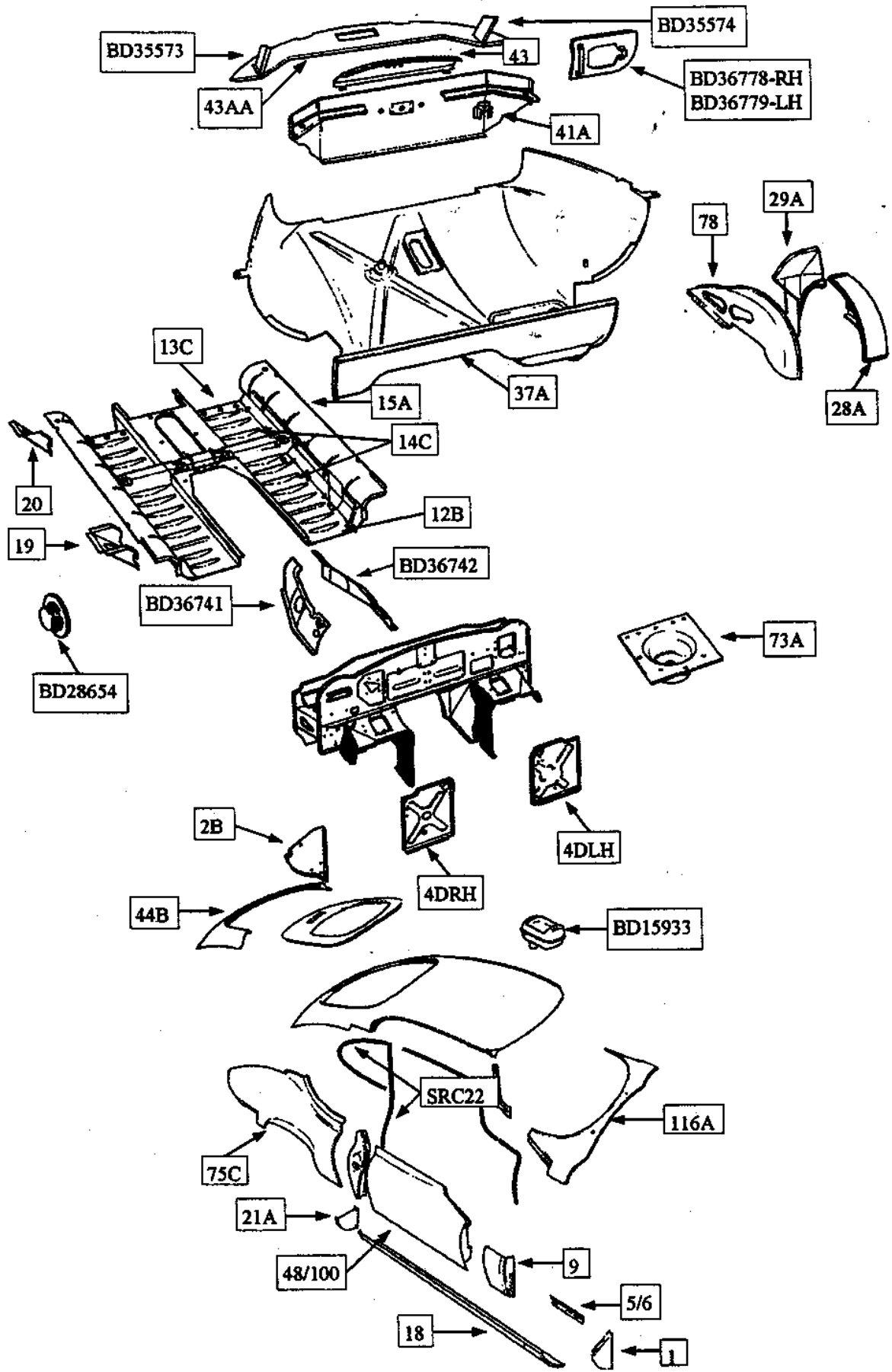
## **STEEL BODY PANELS**

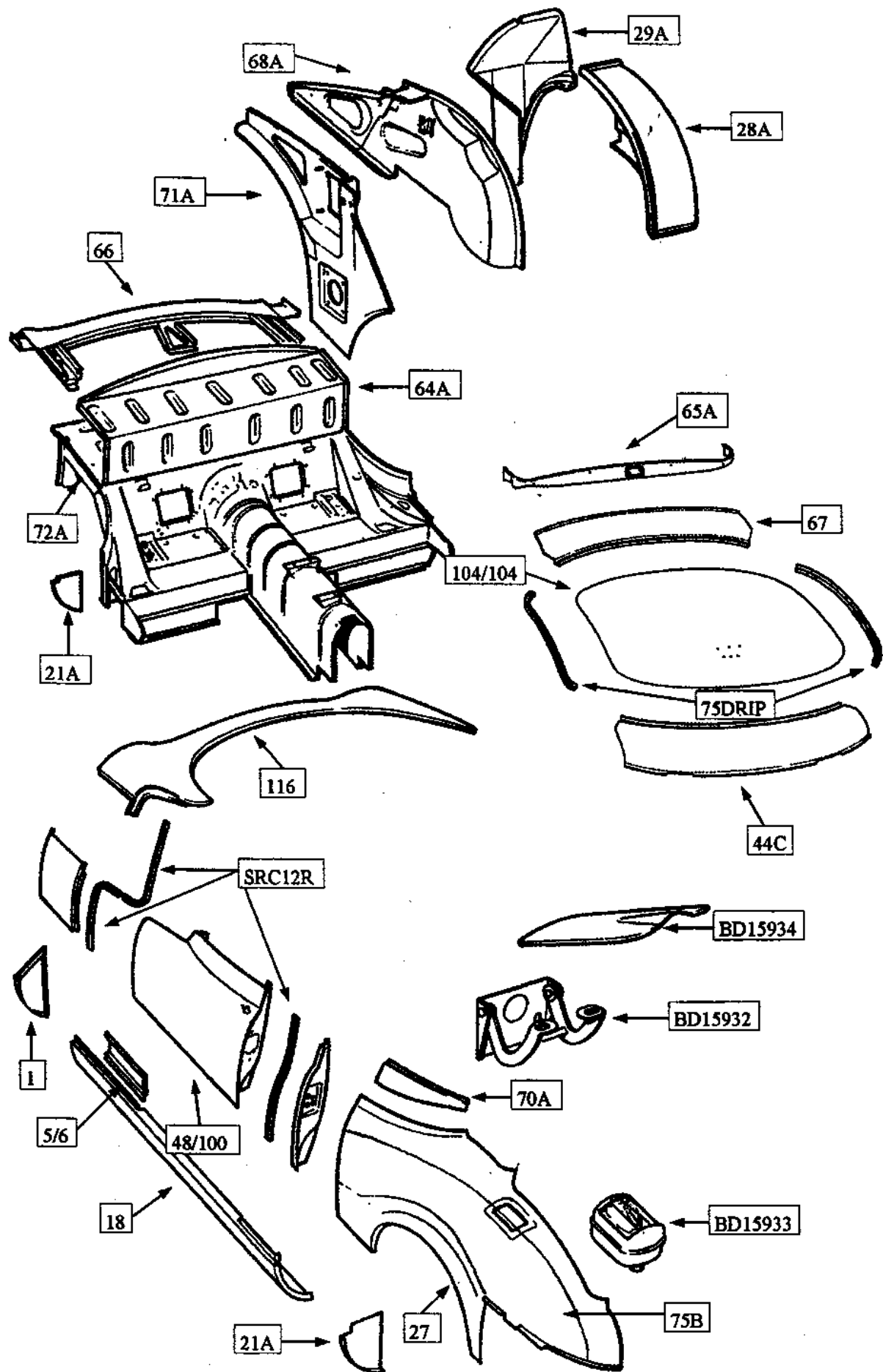
### **E TYPE MODELS(continued)**

<b>OUR REF No.</b>	<b>DESCRIPTION</b>
MRE104ALI	ALLUMINIUM BOOT LID
MRE104SALI	ALLUMINIUM BOOT LID SKIN
MRE113LH/RH	SER.3 DH CROSSMEMBER TO FLOOR HALVES
MRE113BLH.RH	SER.2/3 2+2 CROSSMEMBER TO FLOOR HALES
MRE116A	BULKHEAD TOP PANEL (SKUTTLE TOP) SERIES.3









## **ANCILLARY METAL BODY PANELS AND FITTINGS**

### **AROUND FRONT FRAMES AND BONNET AREA**

<b>OUR REF No.</b>	<b>DESCRIPTION</b>
MRE8A	BATTERY CARRIER (12CYL MODELS)
C34918	BATTERY CLAMP RING (12CYL MODELS)
C19506	BATTERY CLAMP RUBBER PAD (ALL MODELS)
C19326	BONNET HINGE (ALL MODELS)
C16804*	BONNET HINGE NYLON BUSH
C19330	BONNET HINGE STEEL BUSH
BH606181J	BONNET HINGE PIVOT BOLT
BD18951+1+2	BONNET HINGE SHIM (STEEL)
BD20950/1+2	BONNET HINGE SHIN (ALUMINIUM)
BD42771	BONNET BALANCE GAS STRUT (SER.3)
BD20315	BONNET SAFETY CATCH (ALL MODELS)
BD20320	BRACKET RECEIVING SAFETY CATCH
BD19905-06	BONNET SIDE CATCH ENGAGING LOCKING HOOK
BD19896	PIN FOR ABOVE
BD19936	RUBBER ON PIN
BD19890-91	LOCKING HOOK FOR BONNET
BD35645/6	HEADLIGHT SCOOP - SERIES 2 & 3
BD37186-7	STONEGUARD (ALL V12E MODELS)
BD37406-7	MUDSHIELD (ALL V12E MODELS)
MRE55A	RADIATOR MESH SHIELD (ALL 12CYL MODELS)
DP3	DATA PLATE LATER SER.2 & EARLY SER.3
DP3S	AS ABOVE BUT STAMPED AS REQUESTED
NBW12	NUT BOLT & WASHER, FRONT FRAME KIT (12CYL MODELS)
PLATE/REF	REFLECTIVE ADHESIVE FRONT No. PLATE
DIGIT/BK	BLACK 3 ¼" ADHESIVE DIGITS

## **ANCILLARY METAL BODY PANELS AND FITTINGS**

### **IN AND AROUND COCKPIT AREA**

<b>OUR REF No.</b>	<b>DESCRIPTION</b>
SRC12R	SEAL RETAINER CHANNEL V12E ROADSTER
SRC22	SEAL RETAINER CHANNELS ALL 2+2 MODELS
BD27680/1	DOOR HINGE (V12E & 2+2)
BD27794	DOOR HINGE STRAP (V12E & 2+2)
BD17034/5	DOOR HINGE SPECIAL BOLT (HINGE TO DOOR)
BD13565/3	DOOR HINGE SPECIAL BOLT (HINGE TO BODY)
BD38444	RADIO CONSOLE FRAME SER.3 V12E
BD20456/57	SCREEN PILLAR INNER COVERS (FOR TRIMMING)
BD37941	HOOD FRAME (SERIES 3)
BD18963	INTERIOR LIGHT SHIELD (IN BOOT)

***PLEASE CALL US FOR ANY OTHER FIXTURES OR  
FITTINGS THAT ARE NOT LISTED IN THIS CATALOGUE***

***WE STOCK UPWARDS OF 16,000 LINE ITEMS AT ANYONE TIME.***

***ANY INTERIOR TRIM, I.E. LEATHER, CARPET, VUNYL ETC.  
IS AVAILABLE TO ORDER IN ALL JAGUAR COLOURS AND  
MATERIALS SEE BACK OF CATALOGUE***

**ANCILLARY METAL BODY PANELS AND FITTINGS**

**ON AND AROUND REAR OF CAR**

<b>OUR REF No.</b>	<b>DESCRIPTION</b>
BD20622/23	BOOT LID HINGE ASSY WITH SPRINGS FITTED (ALL DHC MODELS)
BD19204	BOOT LID HINGE SPRING (10 PER CAR)
BD36778/79 MD	REAR LIGHT HOLDERS SER.3 MODELS
BD38882	SER.3 REVERSE LAMP MTG. BRACKET
BD38880/1 BD15933	SER.3 No. PLATE MTG. BRACKET FUEL FILLER BOX (DHC)
BD15934	FUEL FILLER BOX LID (DHC)
BD15932	FUEL FILLER BOX LID HINGE (DHC)
BD16202	BOOT LID LOCK PLINTH (DHC)
BD19339	FUEL FILLER BOX 2 + 2
BD19552	FUEL FILLER BOX LID HINGE 2 + 2
BD18949/50	BOOT HINGE MTG BRACKET
BD16008	FRONT FUEL TANK MTG. BRACKET
BD16008F	FRONT FUEL TANK BRACKET ON ARCH
BD16008R	REAR FUEL TANK MTG BRACKET ON No. PLATE PANEL

**CHROME FINISHERS & FASTENERS ETC IN AND AROUND**

**FRONT FRAMES AND BONNET AREA**

<b>OUR REF No.</b>	<b>DESCRIPTION</b>
BD19029/1	BONNET CHROME MOULDING BETWEEN WING AND CENTRE PANEL
BD19030	BRASS CLIP FOR ABOVE
BD35668/9/70/71	SER. 2/3 HEADLIGHT TRIMS
BD31129	JOINING CLIP FOR ABOVE
BD19178	GRILLE REAR OF BONNET

**CHROME FINISHERS & FASTENERS ETC IN AND AROUND**

**COCKPIT AREA**

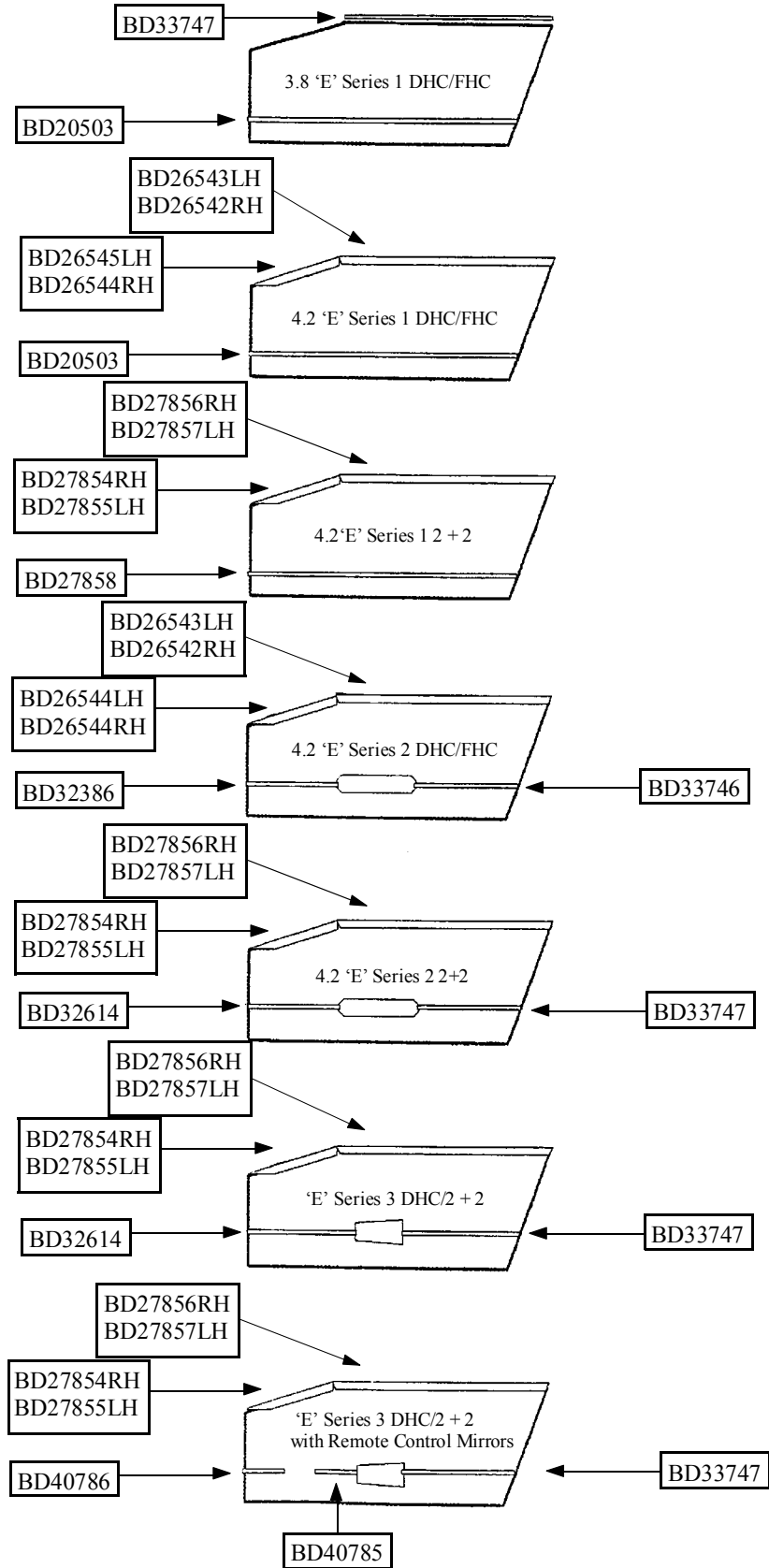
<b>OUR REF No.</b>	<b>DESCRIPTION</b>
BD37312	TOP FINISHER ON FRONT SCREEN (V12 ROADSTER)
BD37300/01	FRONT SCREEN SIDE PILLAR CAPPING (12CYL ROADSTERS)
BD20857	MIRROR ROD TOP BOSS
BD19129-1	FINISHER ON SILL (2+2 MODELS)
BD39038	FRONT HOOD FINISHER (V12)
8655	WIPER ESCUTCHEON (WITH NUT & GASKET)
5219P	WIPER ESCUTCHEON LOCKNUT (HIGHLY POLISHED)
BD29015/6	GUTTER CHROMES (2+2)

**CHROME FINISHERS & FASTENERS ETC IN AN AROUND**

**REAR OF CAR**

<b>OUR REF No.</b>	<b>DESCRIPTION</b>
BD38883	STAINLESS STEEL NUMBER PLATE FINISHER (SER.3 UK SPEC)
BD37349	STAINLESS STEEL NUMBER PLATE FINISHER (SER.3 EXPORT)
BD26762	BOOT LID/RACK DOOR MOTIF "JAGUAR"
BD27666	BOOT LID/BACK DOOR MOTIF "E TYPE"
BD26766	BOOT LID/BACK DOOR MOTIF "4.2"
BD37600	BOOT LID/BACK DOOR MOTIF "V12"
BD20159/1&2	FHC & 2+2 REAR HATCH CHROME FINISHER
BD5366/1	JOINT CLIP FOR ABOVE
	FRONT BUMPER CORNERS (ALL MODELS)
	REAR BUMPER CORNERS (ALL MODELS)
	REAR BUMPER CENTRE SECTIONS (SERIES 2&3)
	FRONT/REAR OVERIDERS (SERIES 1&2)
	FRONT/REAR OVERIDERS (SERIES 3)

# DOOR CASING CHROME FINISHERS



## **ENGINE FITTINGS/ANCILLARY EQUIPMENT**

<b>OUR REF No.</b>	<b>DESCRIPTION</b>
C33016*	RADIATOR HEADER TANK V12
C34462ASS	ASSEMBLY HEATER BOX UNIT (BLACK FINISH) V12
C34642	HEATER MATRIX UNIT SERIES 3 V12
C35727	RAINSHIELDS ABOVE CARBURETTOR V12 MODELS ONLY
C39109/10	V12E ENGINE MANIFOLDS

## **ENGINE TRANSMISSION**

<b>OUR REF No.</b>	<b>DESCRIPTION</b>
V12HOSEKIT	HOSE SET V12 'E' TYPE SERIES 3(ALL O.E. HOSES)
C23007	4.2/V12E GEARSHIFT KNOB
C36607	CLUTCH RESERVOIR BOTTLE (COMPLETE WITH CAP)
C34351	V12E HOT AIR PIPE CLEANER

## **FUEL SYSTEM**

<b>OUR REF No.</b>	<b>DESCRIPTION</b>
C32046	FUEL TANK (SER.3E)
C23601/1	ORIGINAL STYLE FUEL FILLER CAP
C12816	LOCKING FULE FILLER CAP (CHROME)
AZX1405	12CYL FUEL PUMP
BHH191 MD	FILLER NECK HOSE
BD659M	DRAIN HOSE IN BOOT (PER METRE)
C22226	TOP CENTRE GASKET
BTJ2953	SENDER GASKET
C20429	TANK SENDER
C32305	BRASS SUMP UNDER TANK (12CYL)
C26310	SEAL FOR BOTH ABOVE

## **BRAKES**

<b>OUR REF No.</b>	<b>DESCRIPTION</b>
	BRAKE PADS, FRONT, REAR AND HANDBRAKE
	WHEEL CYLINDER KITS
	CUNIFER PIPE WITH BRASS NUTS BRAKE PIPE KITS
	BRIDGE PIPE ONLY CUNIFER PIPE WITH BRASS NUTS
C35564R	EXCHANGE SERVOS SER.3 V12 (£100 SURCHARGE)
	BRAKE DISCS
C30221	HANDBRAKE CABLE (12CYL 'E')

## **STEERING AND SUSPENSION COMPONENTS**

<b>OUR REF No.</b>	<b>DESCRIPTION</b>
	KONI ADJUSTABLE SHOCK ABSORBERS
RTC2203	TOP BALL JOINTS (ORIGINAL SPEC)
12803	BOTTOM BALL JOINTS (ORIGINAL JAGUAR SPEC)
	FRONT WISHBONE RUBBERS
C17168/1	4.2 + SER.3 'E' INNER FULCRUM BEARING TUBE
C17167	INNER FULCRUM BEARINGS
GHK1025	FRONT WHEEL BEARINGS
GHK1026	REAR WHEEL BEARINGS
C25156	RADIUS ARM SAFETY STRAP (2+2 & V12)
MRE72B	BUMP STOP MOUNTING BRACKET
C17228	PACKING PIECE AT REAR AXLE MOUNTING
C40158*	REAR BUMP STOP
C17198*	REAR CRADLE MOUNTING

## **COOLING**

<b>OUR REF No.</b>	<b>DESCRIPTION</b>
C35629	V12E RADIATOR (MANUAL TRANS)
C35630	V12E RADIATOR (AUTO TRANS)
V12HOSEKIT	SER.3 HOSE KIT

**EXTRA COOLED RADIATORS ARE AVAILABLE TO ORDER**

## **ELECTRICAL**

<b>OUR REF No.</b>	<b>DESCRIPTION</b>
C31839/40	SERIES 3 'E' TYPE FRONT FLASHER LIGHT
C39294/5	SERIES 2/3 REAR STOP AND TAIL LIGHT
C16921	8 PIN PLUG AND SOCKET ASSEMBLY WITH RUBBER BOOT, WASHERS, PLASTIC SLEEVE
C16997	SERIES 1, 2 AND 3, 8 PIN PLUG TRIANGULAR RETAINING PLATE
	SPEEDOMETER CABLES
RTC423/4	SER. 2/3 REAR LENSE
C30887	SER. 2/3 No. PLATE LAMP
8641	DIRECTIONAL INDICATOR WARNING LIGHT LENSE
RT1080	SER. 2/3 REAR LAMP LENSE TO LAMP BODY GASKET
12426	SER. 2/3 FRONT LAMP LENSE TO LAMP BODY GASKET
C15785	PLASTIC KNOB DASH SCREWS (AS ORIGINAL)

## **WIRING HARNESSSES**

<b>OUR REF No.</b>	<b>DESCRIPTION</b>
C34919 (1309)	FORWARD LOOM (ALL)
JL13212	FORWARD LOOM (WITH 8 PIN PLUG AND SOCKET)(ALL)
C34999 (1325)	BULKHEAD LOOM (ALL)
C33987 (1326)	PANEL LOOM (C36384) (ALL)
C33374 (1313)	FAN RELAY LOOM (NON-AIR CONDITIONING)
C33375 (1314)	FAN RELAY LOOM (WITH AIR CONDITIONING)
C33993 (1310)	R/H BODY LOOM (ALL)
C33992 (1311)	L/H BODY LOOM (ALL)
C33394 (1329)	AIR CONDITIONING LOOM

### ***WIRING HARNESSSES (continued)***

C35000 (1315)	ENGINE LOOM (MANUAL, UP TO CHASSIS 7S-2251)
C35001 (1316)	ENGINE LOOM (AUTO, UP TO CHASSIS 7S-2251)
C35923 (1317)	ENGINE LOOM (MANUAL, CHASSIS 7S-2252 TO 7377)
C35922 (1319)	ENGINE LOOM (MANUAL, CHASSIS 7S-7378 TO 9696)
C38234 (1320)	ENGINE LOOM (AUTO, CHASSIS 7S-7378 TO 9696)
C39338 (1321)	ENGINE LOOM (MANUAL, CHASSIS 7S-9697 & ON)
C39337 (1322)	ENGINE LOOM (AUTO, CHASSIS 7S-9697 & ON)
C42714 (1323)	ENGINE LOOM (MANUAL, USA & CANADA, 7S-14001 & ON)
C42713 (1324)	ENGINE LOOM (AUTO, USA & CANADA, 7S-14001 & ON)
C37640 (1336)	PDWA LOOM (AUTO, 7S-4560 TO 7S-4621 AND 7S-4664 & ON)
C34076 (1337)	REVERSE LAMP LOOM (C34077) (ALL)
C33996 (1330)	STARTER SOLENOID LEAD (C36876) (ALL)
C34154 (1338)	FUEL PUMP LEAD (ALL)
C36937 (1339)	FUEL PUMP EXTENSION LEAD (ALL)
C31578 (XJ6155)	REV COUNTER AND SPEEDO ILLUMINATION LEAD (ALL)
C38755 (1341)	POSITIVE BATTERY CABLE (C36956) (ALL)
C38756 (1342)	NEGATIVE BATTERY CABLE (ALL)

### **BODY HARNESS AS SERIES ONE**

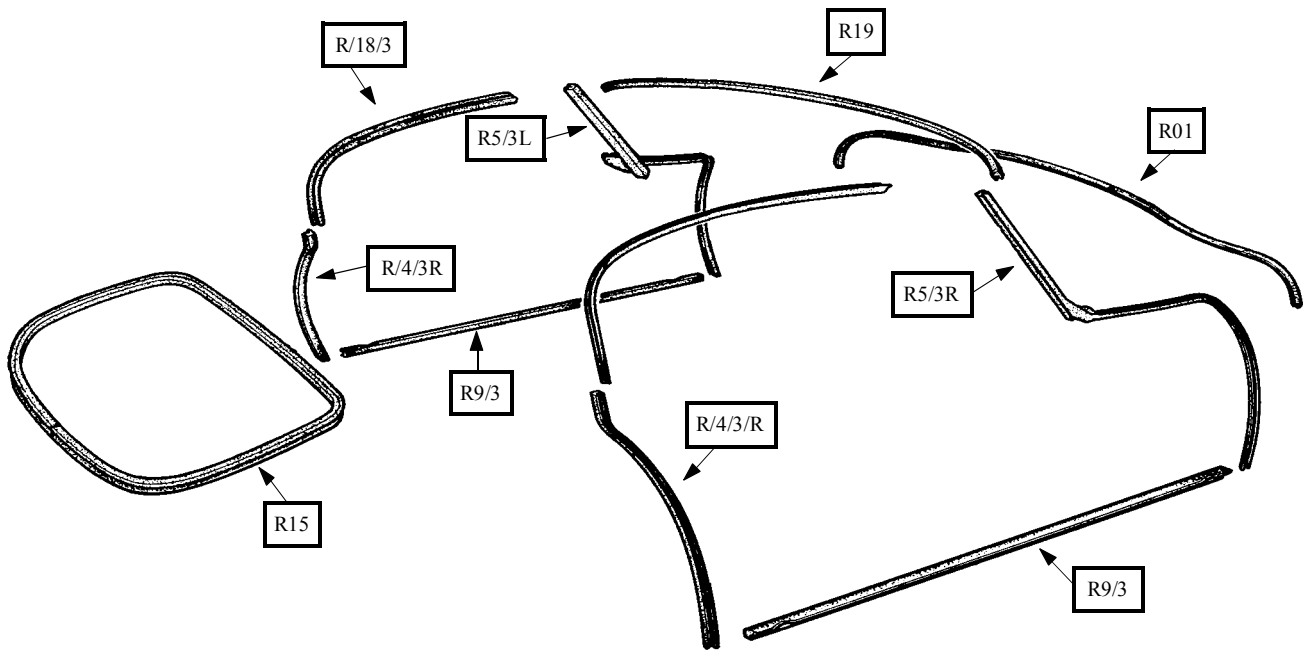
C16921	8 PIN PLUG AND SOCKET ASSY (ALL MODELS)
C17001/2	CABLE STRAPPING AND CLIPS (SUFFICIENT FOR 30 TIES) L

***ALL PRICES ARE FOR BRAIDED COVERING, WHERE THEY WERE ORIGINALLY***

***PRICES DO NOT INCLUDE VALUE ADDED TAX***

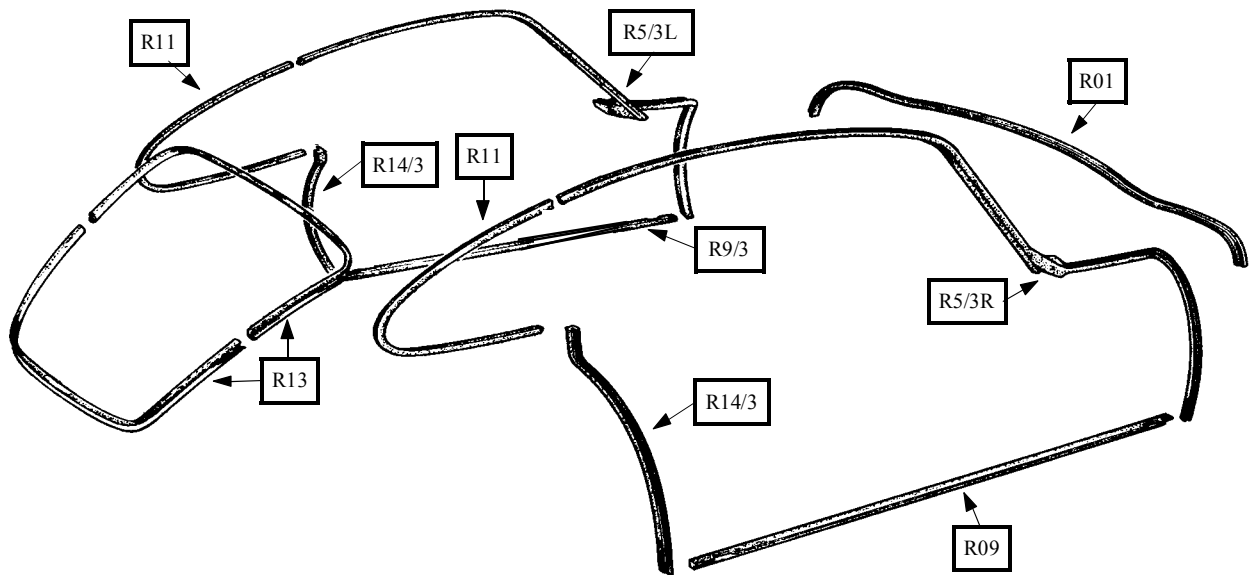
## **WHEELS, HUBS AND SPINNERS**

<b>OUR REF No.</b>	<b>DESCRIPTION</b>
	<b><u>CHROME WIRE WHEELS</u></b>
C33762	'E' SERIES THREE <b><u>SPLINED HUBS</u></b>
C20889	RH REAR SERIES 1,2 & 3 'E'
C20890	LH REAR SERIES 1,2 & 3 'E'
C33707/1	RH FRONT V12E
C33708/1	LH FRONT V12E
	<b><u>SPINNERS</u></b>
C28684	RH TRIANGULAR TYPE
C28685	LH TRIANGULAR TYPE
	<b><u>TOOLS</u></b>
C28687	SPANNER FOR TRIANGULAR SPINNER
C992	MALLET (COPPER & HIDE) AS ORIGINAL
WWB	WIRE WHEEL BRUSH
	<b><u>WINDSCREENS</u></b>
384T80	SER.3 'E' DHC (CLEAR)
384T90	SER.3 'E' DHC (TINT)
444T80	SER.3 'E' 2 + 2 (CLEAR)
444T90	SER.3 'E' 2 + 2 (TINT)



**E TYPE BODY SEALS**  
**V12 ROADSTER MODELS**

<b>OUR REF CODE</b>	<b>DESCRIPTION</b>
<b>No.</b>	
11719/11722	FRONT SIDE/INDICATOR TO BODY GASKET
BD38161/62	REAR STOP/TAIL LAMP TO BODY GASKET
R01	BONNET RESET SEAL
R2F	BUMPER SEAL FRONT
R2/3R	BUMPER SEAL REAR
R03	OVERRIDE BEADING
R4/3	FRONT SCREEN SEAL
R04M	RUBBER INSERT FOR ABOVE PER METRE
R5/3LH/RH	A POST SEAL
R06	SEAL ON DOOR FRAME LEADING EDGE
R7/3	OUTER DOOR GLASS SEAL
R08/3	INNER DOOR GLASS WEATHER STRIP
R9/3	SILL SEAL
R15	BOOT LID APERTURE SEAL
R17	DOOR GLASS CHANNEL SEAL
R18/3	HOOD CANTRAIL SEAL
R19	HOOD FRONT SEAL
R20	REAR HARTOP SEAL



**E TYPE BODY SEALS**  
**ALL 2+2 MODELS**

<b>OUR REF</b>	<b>DESCRIPTION</b>
<b>No.</b>	
8607	FRONT SIDE/INDICATOR LENSE TO LAMP GASKET SER.1
8608-14	FRONT SIDE/INDICATOR LAMP TO BODY GASKET SER.1
8620	REAR STOP/TAIL LENSE TO LAMP GASKET SER.1
11136-37	REAR STOP/TAIL LAMP TO BODY GASKET SER.1
11719-722	FRONT SIDE/INDICATOR LAMP TO BODY GASKET (SER.2 & 3)
BD38161-62	REAR STOP/TAIL LAMP TO BODY GASKET (SER.2 &3)
R01	BONNET REST SEAL
R2F	BUMPER SEAL FRONT
R2R	BUMPER SEAL REAR SERIES ONE
R2/2R	BUMPER SEAL REAR SERIES TWO
R2/3R	BUMPER SEAL REAR SERIES THREE
R03	OVERIDER BEADING
R4/3	FRONT SCREEN SEAL (SER. 2 & 3)
R4/1	FRONT SCREEN SEAL (SER. 1 2+2)
R04M	RUBBER INSERT FOR ABOVE
R5/3LH/RH	A POST SEAL
R06A	SEAL ON DOOR GLASS FRAME OUTER
R7/3	OUTER DOOR GLASS SEA;
R08/3	INNER DOOR GLASS WEATHER STRIP
R9/3	SILL SEAL
R11	SEAL FOR ¼ LIGHT APERTURE
R12	BACK DOOR GLASS SEAL
R04M	RUBBER INSERT FOR ABOVE
R13	BACK DOOR APERTURE SEAL (2 REQUIRED PER CAR)
R14/3	DOOR SHUT POST SEAL
R16LH/RH	HEADLIGHT GLASS RUBBER SEAL SER.1
R17	DOOR GLASS CHANNEL SEAL





## DECALS, PLATES AND ESCUTCHEONS

No	PART No.	DESCRIPTION	APPLICATION
1	BD11802	CHOKE DECAL ( <i>ALUMINIUM</i> )	S1
2	BD44066	DEMIST DECAL	S3
3	BD44067	DEMIST DECAL	S3
4	C15449	O.S.H. LIGHT ESCUTCHEON	S1
5	C18456	HEATER DECAL ( <i>ALUMINIUM</i> )	S1
6	C19637*	HANDBRAKE-FLUID ESCUTCHEON	S1 + S2 + S3
7	C20305	HEADLAMP-DIP ESCUTCHEON	S1 + S2 + S3
8	C34433	FIRING ORDER DECAL	S3
9	C35732	CAM COVER MOTIF	S3 + XJ
10	DEC11	DISCONNECT BATTERY FOR FUEL PUMP DECAL	S1 3.8 + S1 4.2 EARLY
11	DEC13	DISCONNECT BATTERY DECAL	S1 3.8 EARLY
12	DEC17	COOPERS DECAL	VARIOUS
13	DEC18	A.C. AIR CLEANER DECAL	S2 + S3
14	DEC27	BALLASTED COIL DECAL	S3 1974 ON
15	DEC38	HAZARD WARNING DECAL	VARIOUS
16	DP1	DATA PLATE (+ £4.50 STAMPED)	S1/EARLY S2
17	DP3	DATA PLATE (+ £4.00 STAMPED)	S2 LATE/S3
18	JS230DECAL	HEATER DECAL AND SURROUND	S3
19	JS231DECAL	CHOKE DECAL AND SURROUND	S3
20	0088	POWER STEERING CAUTION DECAL	S2 + S3
21	0089	COIL DECAL ( <i>YELLOW/SILVER</i> )	VARIOUS
22	1002	TRICO SOLVENT DECAL	VARIOUS
23	1003	WIPER BLADE DECAL	ALL MODELS
24	1004	SCREEN JET DECAL ( <i>MAROON/GOLD</i> ) ON BRACKET	S1 3.8 + S1 4.2 EARLY
25	1010	RUNNING IN DECAL ( <i>RED WITH HEAD MOTIF</i> )	3.8 LATE + S1 + S2 + S3
26	1011	COIL DECAL ( <i>BLACK/SILVER</i> )	S1 3.8 LATE/4.2
27	1012	LUCAS BATTERY DECAL	S1 + S2
28	1039	NEGATIVE EARTH PLATE	ALL MODELS
29	1041	CHOKE DECAL ( <i>ALUMINIUM</i> )	S2
30	1042	HEATER DECAL	S2
31	1053	CHOKE KNOB DECAL	S2 + S3
32	1056	MADE IN ENGLAND PLATE	ALL MODELS
33	1101	BRAKE SYSTEM FLUID WARNING	S3
34	1118	LUBRICATION DECAL	S3
35	1119	ENGINE OIL DECAL	S3
36	1122	TAPPET CLEARANCE	S2 + S3
37	1123	TILT SEAT PLATE	S1 4.2 + S2 + S3
38	1125	SEAT BELT ANCHORAGE PLATE	S2 + S3
39	1126	RUNNING IN DECAL ( <i>BLUE WITH WINGED MOTIF</i> )	XK/EARLY S1 3.8
40	1135	IMPORTANT STARTER RELAY NOTICE	VARIOUS
41	1136	PLUG LEAD I.D. TAGS	S3
42	1137	LUCAS BATTERY DECALS, SET OF THREE	S3
43	1139	TRICO WASHER BOTTLE DECAL	S3 + XJ S1
44	1140	TRIPLEX LAMINATED SCREEN DECAL	ALL MODELS
45	1142	SMITHS HEATER DECAL ( <i>TWO PIECES</i> )	ALL MODELS
46	1143	BLUECOL ANTI-FREEZE DECAL	ALL MODELS
47	1148	COIL DECAL ( <i>RED/WHITE</i> )	S3
48	1149	ODOMETER DECAL	ALL MODELS

JAGUAR CARS LTD. COVENTRY, ENGLAND.

CAR No. \_\_\_\_\_ ENGINE No. \_\_\_\_\_  
 BODY No. \_\_\_\_\_ GEAR BOX No. \_\_\_\_\_

**RECOMMENDED LUBRICANTS**

	MOBIL	CASTROL	SHELL	ESSO	B.P.	DUCKHAM	REGENT
SUPPLY	MOBILIN	CASTROL	SHELL	ESSO EXTRA	ENERGOL	NOV	ADVANCED
WINTER	MOBILIN	CASTROL	SHELL	ESSO EXTRA	ENERGOL	NOV	ADVANCED
TROPICAL	MOBILIN	CASTROL	SHELL	ESSO EXTRA	ENERGOL	NOV	ADVANCED
GEAR OIL	MOBILIN	CASTROL	SHELL	ESSO EXTRA	ENERGOL	NOV	ADVANCED
GEAR OIL	MOBILIN	CASTROL	SHELL	ESSO EXTRA	ENERGOL	NOV	ADVANCED
STEERING OIL	MOBILIN	CASTROL	SHELL	ESSO EXTRA	ENERGOL	NOV	ADVANCED
WHEEL HUBS	MOBILIN	CASTROL	SHELL	ESSO EXTRA	ENERGOL	NOV	ADVANCED
VALVE CLEARANCE (COLD) INLET	INS.	EXHAUST	INS.				

JAGUAR CARS LTD. COVENTRY, ENGLAND.

CAR NO. \_\_\_\_\_ ENGINE NO. \_\_\_\_\_  
 BODY NO. \_\_\_\_\_ GEAR BOX NO. \_\_\_\_\_

**CAUTION**  
 THE ELECTRICAL SYSTEM POLARITY ON THIS VEHICLE IS **NEGATIVE EARTH**.  
 CORRECT BATTERY POLARITY **MUST** BE OBSERVED.



**IMPORTANT**  
 DISCONNECT BATTERY POSITIVE TERMINAL BEFORE SERVICING FUEL SYSTEM ELECTRICAL EQUIPMENT

**IMPORTANT**  
 DISCONNECT BATTERY BEFORE REMOVING COVER

WE ARE EQUALLY AS ANXIOUS AS YOURSELF THAT YOU SHOULD OBTAIN THE BEST PERFORMANCE AND THE UTMOST SATISFACTION FROM THIS CAR. WE HOPE, THEREFORE, THAT YOU WILL CAREFULLY OBSERVE THE FOLLOWING IMPORTANT RECOMMENDATIONS.

DURING THE FIRST 1,000 MILES DO NOT EXCEED 2,500 R.P.M.

DO NOT OVERSTRESS THE ENGINE USE THE GEARS SO THAT THE ENGINE RUNS LIGHTLY WITH MINIMUM OF THROTTLE OPENING.

AFTER 1,000 MILES AND UP TO 2,000 MILES DO NOT EXCEED 3,000 R.P.M. AND CONTINUE TO DRIVE WITHOUT OVERSTRESSING THE ENGINE.

Only if the above recommendations are observed will the high performance of which this car is capable be obtained.



MADE IN ENGLAND **COOPER'S** PATENTS PENDING  
 FOR SERVICE OF ELEMENT REFER TO VEHICLE MANUFACTURERS



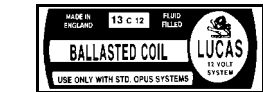
WE ARE EQUALLY AS ANXIOUS AS YOURSELF THAT YOU SHOULD OBTAIN THE BEST PERFORMANCE AND THE UTMOST SATISFACTION FROM THIS CAR. WE HOPE, THEREFORE, THAT YOU WILL CAREFULLY OBSERVE THE FOLLOWING IMPORTANT RECOMMENDATIONS.

DURING THE FIRST 1,000 MILES DO NOT EXCEED 2,500 R.P.M.

DO NOT OVERSTRESS THE ENGINE USE THE GEARS SO THAT THE ENGINE RUNS LIGHTLY WITH MINIMUM OF THROTTLE OPENING.

AFTER 1,000 MILES AND UP TO 2,000 MILES DO NOT EXCEED 3,000 R.P.M. AND CONTINUE TO DRIVE WITHOUT OVERSTRESSING THE ENGINE.

Only if the above recommendations are observed will the high performance of which this car is capable be obtained.



12

TAPPET CLEARANCE

INLET AND EXHAUST .012 INS TO .014 INS

41

6A	5A	4A	3A	2A	1A
6A	5A	4A	3A	2A	1A
6B	5B	4B	3B	2B	1B
6B	5B	4B	3B	2B	1B

**IMPORTANT**  
 + VE FEED TO C2  
 IGN COIL TO C4



FIN TO RADIATOR FILLED WITH

**BLUECOL**

universal Anti-freeze safe for all engines

DO NOT DRAIN

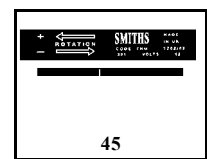
**CHOKES**

**IMPORTANT**  
 WHEN RESETTING TAP COOUNTERS RESET AND RECHECK UNTIL ALL COOUNTERS ARE AT ZERO

**LUCAS**

MADE IN ENGLAND

COLD  
HOT  
RUN

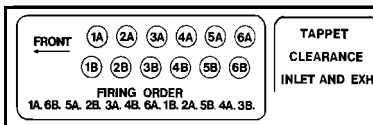
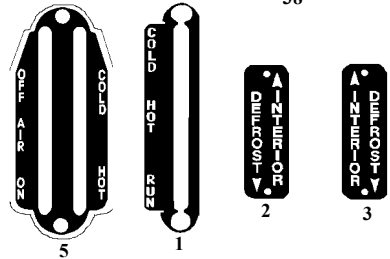


TILT SEATS BEFORE LOWERING OR RAISING TOP

**JAGUAR**

OFF COLD  
AIR  
ON HOT

COLD  
HOT  
RUN



MOBIL - B.P. - SHELL

FOR LUBRICATION AND INFORMATION REFER TO OWNERS HANDBOOK

DUCKHAMS - ESSO

ENGINE INITIALLY FILLED WITH PREMIUM OIL 20W/40

**BRAKE SYSTEM**  
 USE ONLY CASTROL/GIRLING BRAKE FLUID (GREEN)

THIS FLUID EXCEEDS THE PERFORMANCE OF ALL OTHERS

LUCAS - ENGLAND

**HAZARD WARNING**

CLEAN COVER BEFORE REMOVAL USE ONLY RECOMMENDED GRADES OF OILS

INSTALL ONLY FACTORY APPROVED ELEMENTS

**TRIPLEX LAMINATED**

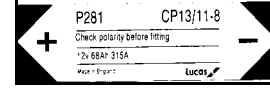
**POISON/DANGER CAUSES SEVERE BURNS**

CONTAINS SULFURIC ACID - AVOID CONTACT WITH SKIN, EYES OR CLOTHING - ANTIDOTE: **EXTERNAL** - FLUSH WITH WATER. **INTERNAL** - DRINK LARGE QUANTITIES WATER OR MILK. FOLLOW WITH MILK OF MAGNESIA. BEATEN EGG OR VEAL OIL. CALL PHYSICIAN IMMEDIATELY. EYES: FLUSH WITH WATER FOR 15 MINUTES AND GET PROMPT MEDICAL ATTENTION. BATTERIES PRODUCE EXPLOSIVE GASES. KEEP SPARKS, FLAME, CIGARETTES AWAY. VENTILATE WHEN CHARGING OR USING IN ENCLOSED SPACE. ALWAYS SHIELD EYES WHEN WORKING NEAR BATTERIES.

KEEP OUT OF REACH OF CHILDREN

**Lucas**

Manufactured By  
 Lucas Batteries Limited  
 Birmingham England



ILLUSTRATIONS NOT TO SIZE

